

- 37-170 GHz in 7 bands
- Quartz Frequency accuracy and stability
- Full waveguide sweep in all bands
- Program from front panel or GPIB bus
- Remote controlled, phase lockable
- High output power

Applications

- Instrumentation automated subsystems
- Laboratory measurement and test equipment
- Source for Vector Analysers
- Antenna design and measurement



Description

Phase lockable SGMW-PLL series is based on standard SGMW series. External PLL circuit with reference synthesizer 12-19GHz allow to get full waveguide tunable synthesizer with high output power. Block diagram of SGMW-PLL system is presented below:

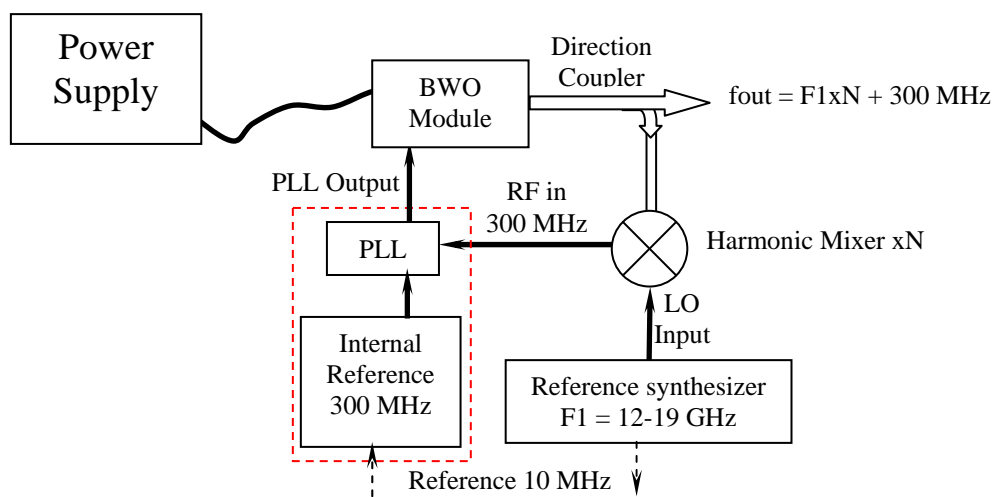


Figure 1. Block-scheme of SGMW-PLL unit set up.

Specifications

BWO modules for SGMW	BWO-Q	BWO-U	BWO-V	BWO-E	BWO-W	BWO-F	BWO-D
Frequency Range, GHz	37-54	40-60	50-75	60-90	75-110	90-140	110-170
Output waveguide type	WR22	WR19	WR15	WR12	WR10	WR8	WR6
Waveguide Flange	UG-383/U	UG-383/U-M	UG-385/U	UG-387/U	UG-387/U-M	UG-387/U-M	UG-387/U-M
Minimum CW power, mW	45	85	20	20	20	30	22
Typical peak power, mW	135	170	70	70	80	90	70

How to Order

Specify Model Number SGMW-PLL-X-A, where

- X - type of BWO tubes
- W - power supply with BWO-W, WD - power supply with BWO-W and BWO-D
- A - length of cable in meters.